

PROPRIETARY AND CONFIDENTIAL

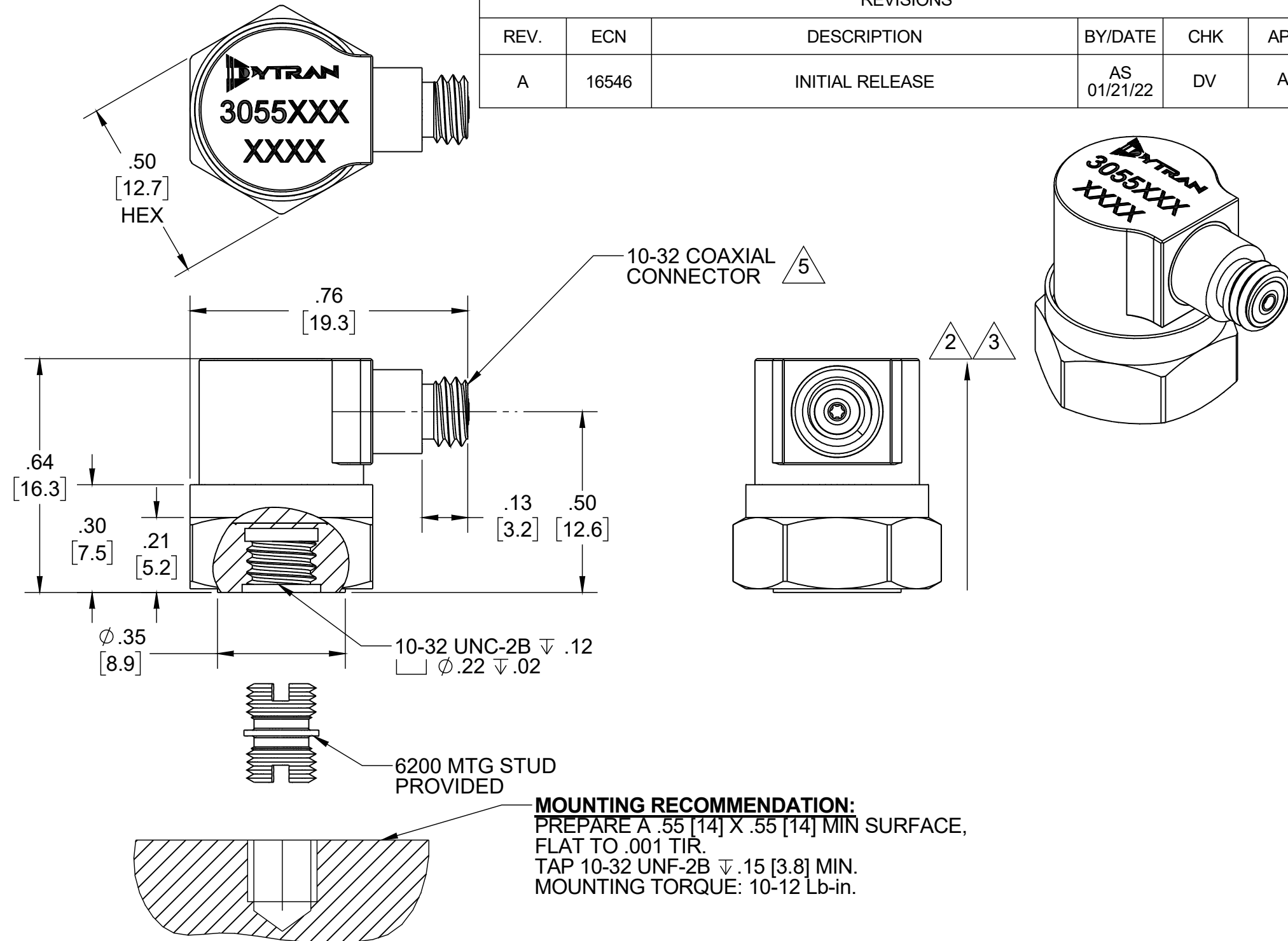
THE INFORMATION CONTAINED IN THIS DRAWING IS THE SOLE PROPERTY OF DYTRAN INSTRUMENTS INC. ANY REPRODUCTION IN PART OR AS A WHOLE WITHOUT THE WRITTEN PERMISSION OF DYTRAN INSTRUMENTS INC. IS PROHIBITED

REVISIONS

REV.	ECN	DESCRIPTION	BY/DATE	CHK	APPR
A	16546	INITIAL RELEASE	AS 01/21/22	DV	AM

VARIATION TABLE


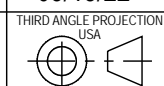
MODEL	SENSITIVITY	TEDS	OPERATING TEMPERATURE (°F)
3055C	15 pC/g	NO	-60 TO +375
3055F2	5 mV/g	NO	-67 TO +325
3055F3	10 mV/g	NO	-67 TO +325
3055F4	20 mV/g	NO	-67 TO +325
3055F5	50 mV/g	NO	-67 TO +325
3055F6	100 mV/g	NO	-67 TO +325
3055F7	200 mV/g	NO	-67 TO +325
3055F8	500 mV/g	NO	-67 TO +325
3055F2T	5 mV/g	YES	-67 TO +325
3055F3T	10 mV/g	YES	-67 TO +325
3055F4T	20 mV/g	YES	-67 TO +325
3055F5T	50 mV/g	YES	-67 TO +325
3055F6T	100 mV/g	YES	-67 TO +325
3055F7T	200 mV/g	YES	-67 TO +325
3055F8T	500 mV/g	YES	-67 TO +325



**MOUNTING RECOMMENDATION:**  
 PREPARE A .55 [14] X .55 [14] MIN SURFACE,  
 FLAT TO .001 TIR.  
 TAP 10-32 UNF-2B  $\nabla$ .15 [3.8] MIN.  
 MOUNTING TORQUE: 10-12 Lb-in.

- 6 TEDS OPERATING TEMPERATURE: -40°F TO +185°F [-40°C TO +85°C]
- 5 MATES WITH DYTRAN 6010AXX OR 6011AXX CABLE (XX = LENGTH IN FEET).
- 4. WEIGHT: 10 GRAMS, MAX
- 3 ARROW INDICATES ACCELERATION DIRECTION FOR POSITIVE OUTPUT.
- 2 ARROW INDICATES ACCELERATION DIRECTION FOR NEGATIVE OUTPUT.

1. MATERIAL: TITANIUM ALLOY  
 NOTES: UNLESS OTHERWISE SPECIFIED

UNLESS OTHERWISE SPECIFIED: INTERPRET DIM & TOL PER ASME Y14.5M - 1994. REMOVE BURRS. COUNTERSINK INTERNAL THDS 90° TO MAJOR DIA. CHAM EXT THDS 45° TO MINOR DIA. THD LENGTHS AND DEPTHS ARE FOR MIN FULL THDS. DIMENSIONS APPLY AFTER FINISHING.		UNLESS OTHERWISE SPECIFIED: DIMENSIONS ARE IN INCHES. DIMENSIONS IN BRACKETS [ ] ARE IN MILLIMETERS TOLERANCES ARE:		 Chatsworth, CA	
DECIMALS .XX ±.03 .XXX ±.010	METRIC .X ±.08 .XX ±0.25	ANGLES ±1°	<b>TITLE:</b> <b>OUTLINE/INSTALLATION DRAWING, 3055 SERIES</b>		
<b>APPROVALS</b> ORIG AS CHK DV APP AM		<b>DATE</b> 01/21/22 03/08/22 03/15/22		<b>SIZE</b> B <b>CAGE CODE</b> 2W033 <b>DWG NO</b> 127-3055 <b>REV</b> A	
ALL MACHINED SURFACES 63/ TOTAL RUNOUT WITHIN .005. BREAK SHARP EDGES .005 TO .010. MACHINED FILLET RADII .005 TO .015. WELDING SYMBOLS PER AWS A2.4. ABBREVIATIONS PER MIL-STD-12.		DO NOT SCALE DRAWING 		<b>SCALE:</b> 3:1 <b>SHEET 1 OF 1</b>	

<b>MODEL NUMBER</b> 3055C	<b>PERFORMANCE SPECIFICATION</b>	<b>DOC NO.</b> PS3055C
------------------------------	----------------------------------	---------------------------

Accelerometer, Charge Mode

REV E, ECN 16546, 01/25/22



- HERMETICALLY SEALED
- HIGH CHARGE OUTPUT
- ROBUST DESIGN
- BASE ISOLATED

ENGLISH	SI
---------	----

**PHYSICAL**  
Weight  
Connector [1]  
  
Housing  
Sensing Element

Type  
Material  
Material  
Material  
Mode

	0.35		10.0		grams
	Coaxial		Coaxial		
	Titanium		Titanium		
	Titanium		Titanium		
	Ceramic		Ceramic		
	Shear		Shear		

**PERFORMANCE**  
Sensitivity, ± 15% [2]  
Acceleration Range [3]  
Frequency Range, ±5%  
Resonance Frequency  
Linearity [4]  
Transverse Sensitivity Max

	15		1.53		pC/m/s <sup>2</sup>
	[3]	Gpeak	[3]	m/s <sup>2</sup> peak	
	[5] 5000	Hz	[5] 5000	Hz	
	32	kHz	32	kHz	
	±1	%	±1	%	
	5	%	5	%	

**ENVIRONMENTAL**  
Shock Max  
Vibration Max  
Operating Temperature  
Seal  
Coefficient of Thermal Sensitivity

	5000		49050		m/s <sup>2</sup>
	600	g pk	5886	m/s <sup>2</sup>	
	-60 to +375	°F	-51 to +190	°C	
	Hermetic		Hermetic		
	0.06	%/°F	0.11	%/°C	

**ELECTRICAL**  
Capacitance, nom  
Electrical Isolation

	975		975		pF
	10	GΩ, min	10	GΩ, min	

**This family also includes:**

Model	Sensitivity (pC/g)	Range (Gpeak)	Resolution (Grms)	Oper. Temp(°F)

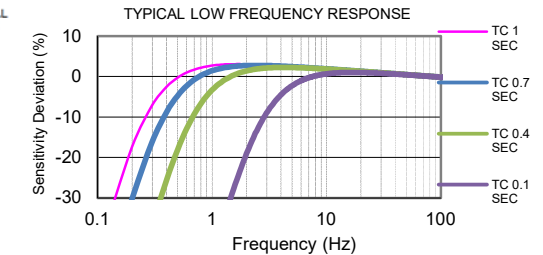
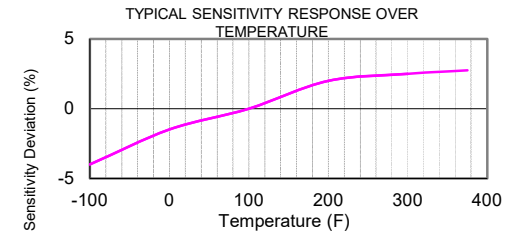
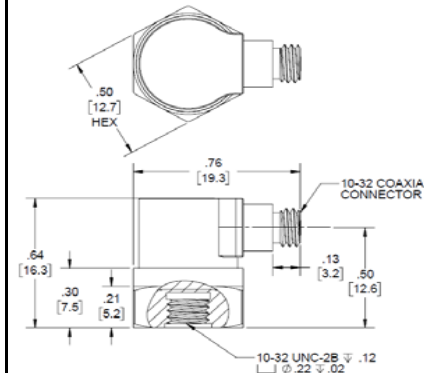
Please, refer to the performance specifications of the products in this family for detailed description

**Supplied Accessories:**

- 1) Model 6200 Mounting Stud
- 2) Accredited Calibration Certificate (ISO 17025)

**Notes:**

- [1] Mates with Dytran cable Model 6013AXX or 6019AXX (XX= Length in feet).
- [2] Measured At 100 Hz, 1 Grms per ISA RP 37.2
- [3] Depends On the Gain Setting Of The Charge Amplifier Used
- [4] Measured using zero-based best straight line method, % of F.S. or any lesser calibrated range.
- [5] Low Frequency Response Is the Function Of the Discharge Time Constant Of The Charge Amplifier Used. Please, Refer To The Plot Below For Frequency Response For Different Time Constants



Units on the line drawing are in inches, units in brackets are in millimeters. Refer to 127-3055 for more



21592 Marilla Street, Chatsworth, California 91311 Phone: 818.700.7818 Fax:818.698.0362 [www.dytran.com](http://www.dytran.com)  
For permission to reprint this content, please contact [info@dytran.com](mailto:info@dytran.com)